

# PRODUCT INFORMATION

## BEEHIVE FLOWFORMS

### Living Water Flowforms

Unit 3, 6 Fern Place  
Byron Bay  
NSW 2481  
Tel: (02) 6685 5417  
[www.flowforms.com.au](http://www.flowforms.com.au)



### BEEHIVE FLOWFORM

The Beehive is more an aesthetic model, with a gentle figure of 8 action and two vortex drains. No entry bowl is required, and the cascade of Flowforms can change direction to suit the terrain. The Beehive is suitable for swimming pools, gardens, etc, and comes in 4 different colours. Flow rate is 12 to 45 litres per minute. Ideal for drinking water - smaller garden settings.

The positive aspects of Flowforms are brought together in the Beehive - the lemniscate (the figure of 8 pattern of the water), and the rhythmical movements that bring about a calming and harmonising quality to the environment calling forth the sounds of a mountain stream or small waves lapping on a beach - a delight to sit next to.

Usually placed in a cascade of between 2 and 7 flowforms.



**Beehive 3 Cascade Flowform**



## FLOWFORMS



Flowforms are vessels that seek to emulate the swirls and vortices of the mountain stream, enabling water to reoxygenate, revitalise and rejuvenate itself, to bring it back to its more natural state – thereby assisting both the human and the plant kingdom. They form a cascade of water that flows into a tank or pool. The water can be recirculated as many times as desired.

The secret of the Flowform lies in it creating a “figure of 8” movement in the water - the lemniscate. This movement is one of the foundation patterns of all life. Oxygen is folded into the water, and the microorganisms are aided in breaking down the “unwanted matter” in a natural and gentle way.

In addition, the psychological effect of the contraction and expansion of the rhythmical movements of the Flowforms is of a calming quality and can produce an enlivening and awakening of the senses.

This dynamic movement, which calls forth the sounds of a mountain stream or small waves on a beach, through the rhythms, sounds and pulses the water produces, gives rise to a breathing quality.

The Beehive’s are the small “domestic” or “landscape” model, used to create water features.

They are placed on landscaped steps. Usually 3 bowls are used, but any number of bowls can be placed in either a straight or serpentine manner depending of the visual effect being created.



## USES OF FLOWFORMS

Creating a rhythmical ambience, beautifying parks and gardens.

Revitalising drinking water - Flowforms are used on town water, tank water and dams to enhance water's life giving properties.

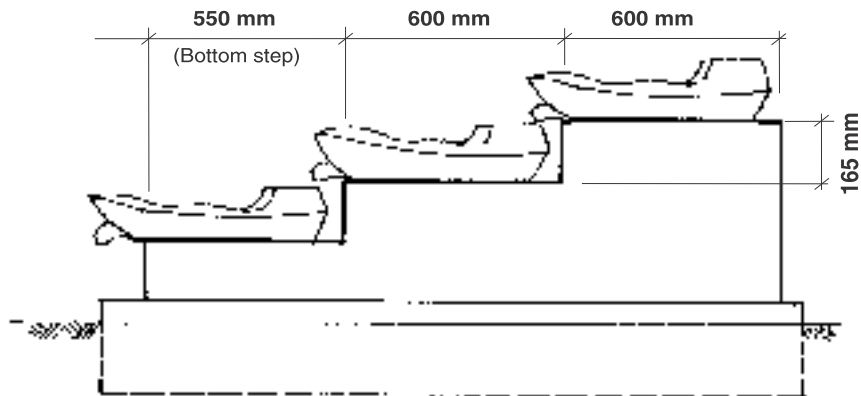
Removing smells and oxygenating contaminated water.

Aquaculture - Flowforms oxygenate and revitalise water that creates a healthy environment that fish thrive in.

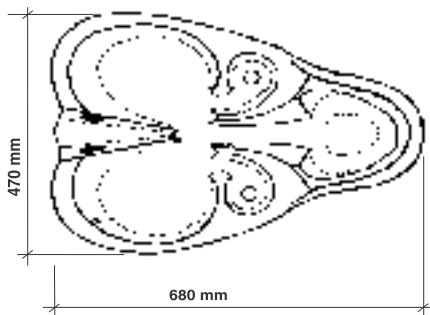
Swimming pools - use Flowforms to keep the water more alive and needing less chemicals.



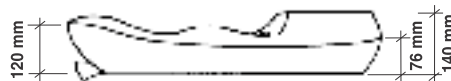
## DIMENSIONS



**Elevation**



**Plan View**



**Side View**

Flow Rate	Optimum	Max	Min
Litres/min	28	35	12
Gradient	16°		
Effective Length (lip to lip)	600mm		
Dimensions (mm)	Length	Width	Height
	680	470	140
Weight	31 kg		

Material	Bluestone Concrete		
Finishes	Sandstone, Terracotta, Black, Peach		
Foundation Steps	Vertical	Horizontal	Width
Outlet	175	550	190-400
Standard	175	600	190-400

### About Phil Sedgman

*Phil spent 20 years in Tasmania exploring the natural environment and farming the land. His love of nature and inquiring mind led him to Biodynamics. Intrigued by Flowforms, he became acquainted with molds, forms and plugs and developed his own Flowform design in 1996. Struck by the magic, he wishes to share this method of enlivening water and giving it life. Phil was a board member of Biodynamic Agriculture Australia (BAA) for 9yrs and is now a Life Member. He serves BAA as a technical adviser and also conducts Flowform lectures and workshops in Australia and abroad.*